

IC Card G2.5 Diaphragm Gas Meter

1. Real Time Clock
2. Meter Recharge
3. Meter Parameters Query
4. Insufficient Gas Warning
5. Battery Management
6. Secure Management
7. Data & Event Record
8. Valve auto-clean



Introduction

Integrated Type Prepaid Gas Meter, with NFC reader on Meter Case for Meter Recharge confirms to Standard ISO 14443.

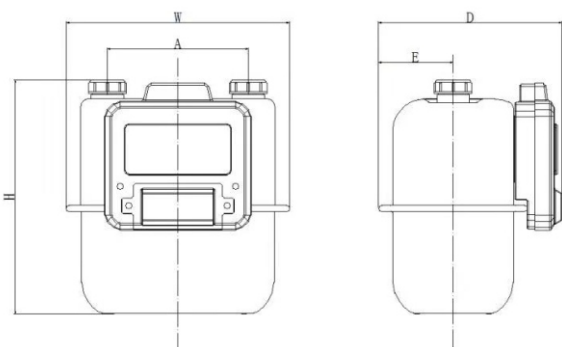
With LCD display, it could be easily read, and equipping with alarm lights to trigger audible & visual alarm in pre-defined case for gentle reminder. Gas Purchase could be done in multiple ways like at Beta Vending System or Mobile Vending POS . Additionally, the client could choose IR as the optional meter recharge way.

The whole solution provides flexible ways on gas purchasing and meter recharging, which are most attractive feature of Beta Prepayment Meter System.

SPECIFICATION

HS DL		UNIT	MODEL
			G 1.6
Normal Flow		m ³ /h	1.6
Max Flow		m ³ /h	2.5
Min Flow		m ³ /h	0.016
Class			1.5
Pressure Loss		Pa	=200
Operating Pressure		KPa	0.5 50
Cyclic Volume		dm ³	1.2
Error Limit	Q _{min} = Q<Q _t	%	±3
	Q _t =Q= Q _{max}	%	±1.5
Counter Min Indication		dm ³	0.2
Counter Min Indication		m ³	99999.999
Connection Thread			NPT ¾
Center distance		Mm	110
Color			grey white (RAL 9002)
Medium condition		m ³	natural gas, LPG,atmosphere,and other non-corrosive gases
LCD Unit		m ³	0.01 m ³
LCD max display		m ³	999999.99 m ³
Transmitting current		m ³	200mA@3.6VDC
Max work current		mA	300 mA
Min work current		mA	20µA
Pulse unit		Imp	0.01m ³ /pulse
Pulse type			Hall
Power supply voltage		V	DC3.6V
Main Battery Life		years	=10 years Lithium battery
Explosion level			EXib? BT3 Gb
Protection level			IP65
Display			Mechanical &LCD
Valve Reliability		S	No less than 10,000 consecutive switching times
Closing time			2S
Clock Accuracy		%	=±5s/day
Relative humidity			=93%
Work temperature		?	-10? +55?
Store temperature		?	-20? +60?
Service Life		years	10(Nature Gas)
RFID tag			Detail follow as Attachment 1

SIZE



DIMENSION

Type	A	H	W	D	E
G 1.6	110	229	201	165	67.5

TROUBLE SHOOTING

Dopng Bncd	Definition	Trouble shooting
EC01	Low Main Battery	Please contact Authority to replace battery in time
EC02	Low Main Battery Warning	Please contact Authority to replace battery in time
EC06	External Magnetic Interference	Please confirm whether there is strong magnetic near the meter, if yes, please remove it away and use token 12 to open the meter cover. If not, please contact Authority for further checking
EC03	Error: Real Time Clock Not Set	Setting in Time Card
EC04	Error: RTC Chip Error	Resetting real time in Time Card
EC13	Not purchased after Registration	Purchase in POS
EC19	Error: Checksum Error	Check customer Card. Then Reissue Card.
EC23	Error Unrecognized card	Check customer Card. Then Reissue Card.
EC24	Communication Error	Check customer Card. Meter need more time to read customer card.
EC25	Incompatible Card	Incompatible Card
EC28	Error: User Card already been used	Recycle Card.
EC29	Error: Magnetic Interference	Magnetic attack.
EC43	Warning: Meter Cover Open	Meter Case opening.
EC44	Error: Exceed Max. Flow	
EC84	Recharge Token already been used	Check customer Card.

POS MACHINE



NFC CARD

