



## DIAPRAGM GAS METER

### MEASURING UNIT

Made of Japanese Co-polymerization of formaldehyde M90-44 (POM), injected by Mitsubishi machine;  
The high physic-chemical properties, with strong reliability, good self-lubricating property and compactness surpassing other similar products remarkably.

### VALVE AND VALVE SEAT

Made of imported materials Z-41 Plastic pressure powder, which has been tested by foreign authority that the vale never distorts, has perfectly anti-function and high plainness after grind.

1<sup>st</sup>

2<sup>nd</sup>

3<sup>rd</sup>

4<sup>th</sup>

### DIAPRAGM

Made of Polyester fabric coated with nitride synthetic rubber;  
Pass more than 200 Million times of Bally Test, oil-resistant change of mass is less than 65%, the flexibility is less than 0.45g/cm, the low temperature type diaphragm can work under -35C ambient temperature.

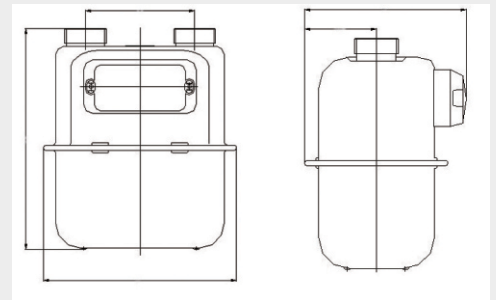
### REGISTER COVER

Material is Polycarbonate, which has strong impact resistance and keep the bolt falls into the track to withstand.

# Technical Parameters

ITEM		UNIT	MODEL		
			NG1.6 (S)	NG2.5 (S)	NG4 (S)
Nominal Flow Rate		m <sup>3</sup> /h	1.6	2.5	4
Max. Flow Rate		m <sup>3</sup> /h	2.5	4	6
Min. Flow Rate		m <sup>3</sup> /h	0.016	0.025	0.04
Total Pressure Loss		Pa	≤200		
Working Pressure Range		kPa	0.5~30		
Cyclic Volume		dm <sup>3</sup>	0.2		
Permissible Error	Q <sub>min</sub> ≤Q<0.1Q <sub>max</sub>	%	±3		
	0.1Q <sub>max</sub> ≤Q≤Q <sub>max</sub>	%	±1.5		
Min. Recording Reading		dm <sup>3</sup>	0.2		
Max. Recording Reading		m <sup>3</sup>	99999.999		
Relative humidity		%	≤93%		
Operation Ambient temperature		°C	-20°C~+50°C		
Store temperature		°C	-20°C~+60°C		
Service life		year	10(Natural Gas)		
Connection Thread			G1½(or Customization)		

## Size



MODEL	DIMENSION(mm)				
	H	W	D	E	A
NG1.6 (S)	224	205	167.5	69	110
NG2.5 (S)	224	205	167.5	69	110
NG4 (S)	224	205	167.5	69	110