

LoRa Serial WireLess Remote Gas Meter



1. Counting function
2. Meter reading function
3. RTC function
4. Data freeze function
5. Power monitoring
6. Data storage
7. Control function (Optional)

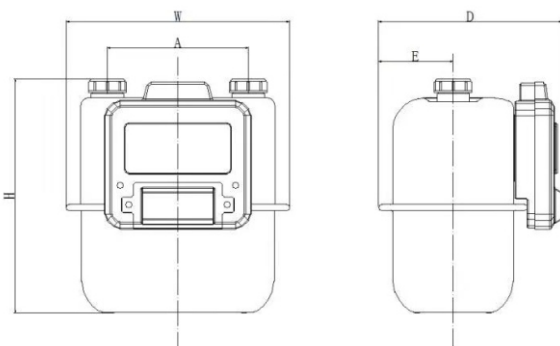
The WG-LoRa series meter adopts LoRa wireless spread spectrum technology to gas AMR business. According to the

different types of protocol, it can be divided into WG L and WG LW series. WG L series adopts private protocol, which can realize outdoor meter reading and valve control through intelligent handheld; WG LW series adopts LoRa alliance standard protocol and constructs star network through LoRawan gateway, which can realize two way communication between end to end device and control master station, thus realizing remote inquiry, control and gas purchasing. Great convenience to the management and operation of gas operators, improve management efficiency, but also facilitate users.

SPECIFICATION

| Item | Unit | Parameter |
|------------------------|----------------|---|
| Base meter | | Beta meter (EN1359/R135) |
| LCD Unit | m ³ | 0.01 m ³ |
| LCD max display | m ³ | 999999.99 m ³ |
| Frequency Range | Mhz | 865Mhz 868Mhz (Customizable) |
| Transmitting power | dBm | 20dbm(Customizable) |
| Transmitting current | mA | 240mA@5VDC |
| Max work current | mA | <300 mA |
| Communication protocol | | LoRa (Customizable) |
| Communication distance | m | ≥1000m |
| Min work current | μA | < 20μA |
| Relative humidity | % | ≤93% |
| Work temperature | °C | 10°C ~ +40°C |
| Store temperature | °C | 20°C ~ +60°C |
| Pluse unit | Imp | 0.01 (1cubic=100Pluse) |
| Pluse stype | | Double pulse (Holzer or reed pipe) |
| Power supply voltage | | DC6V (4 AA Alkaline battery) /DC3.6 (ER18505 Or Equivalent model) |
| Battery Life | | ≥1year (AA Alkaline battery) ≥10 years (Lithium battery) |
| Explosion level | | EXib II BT3 Gb |
| Protection level | | IP54~IP67 |

SIZE



| Model | A | H | W | D | E |
|---------------|-----|-----|-----|-----|------|
| WG1.6A L/LW | 130 | 221 | 209 | 176 | 73.8 |
| WG2.5A L/LW | | | | | |
| WG4A L/LW | | | | | |
| WG1.6(S) L/LW | | 224 | 201 | 167 | 67.5 |
| WG2.5(S) L/LW | | | | | |
| WG4(S) L/LW | | | | | |